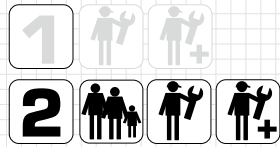




www.esbe.se



SERIES CRA110

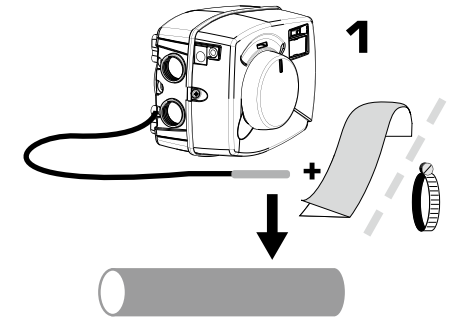
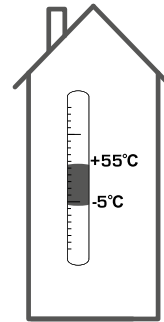


NO.1 IN HYDRONIC SYSTEM CONTROL

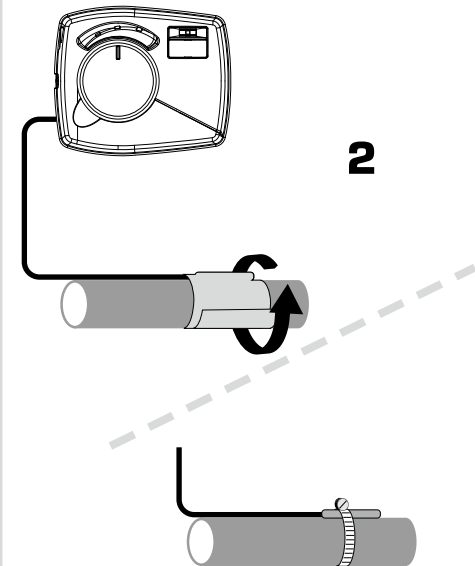
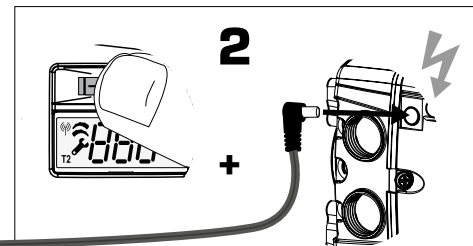
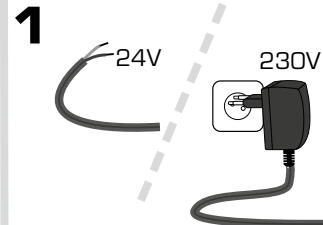
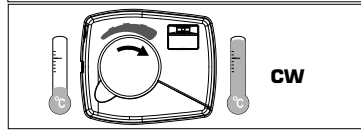
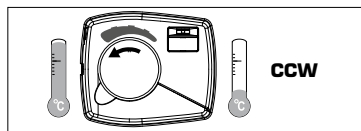
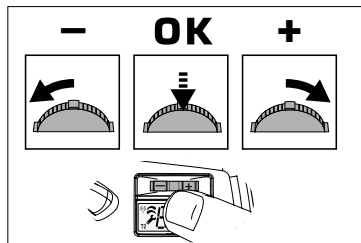


Series CRA111
Series CRA112

CE
LVD 2006/95/EC
EMC 2004/108/EC
RoHS 2002/95/EEC

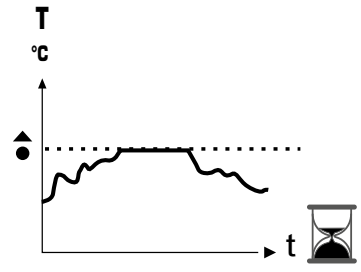
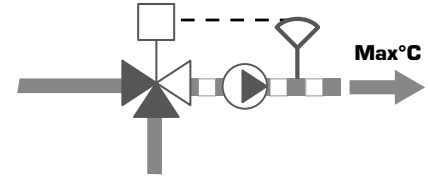


Mtrl.nr. 9814 03 90 • Ritn.nr. 9210 utg. B • Rev. 1012

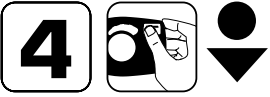
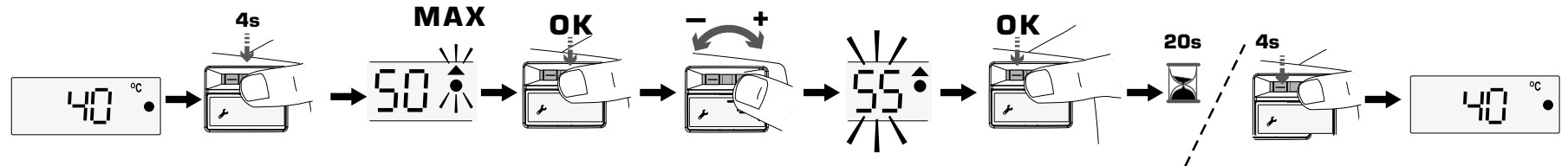




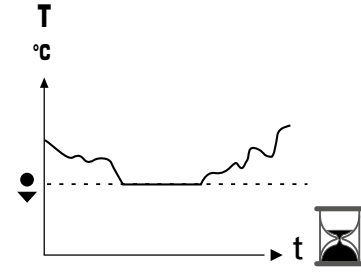
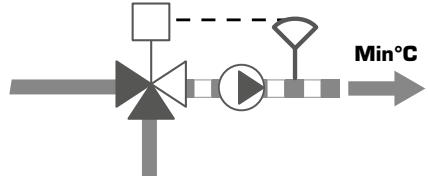
▲ = MAX



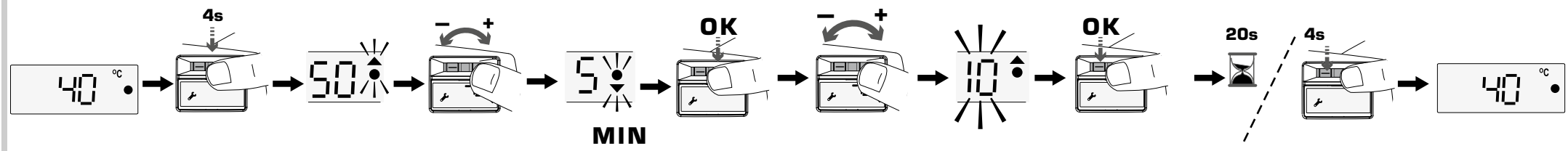
| | |
|--|-------------|
| | 50 °C |
| | ~40 - 50 °C |
| | ~60 - 80 °C |
| | 60 °C |




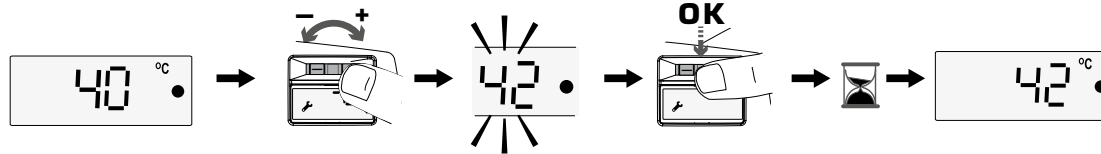
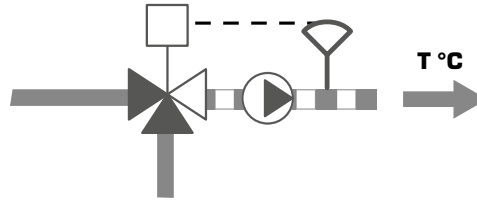
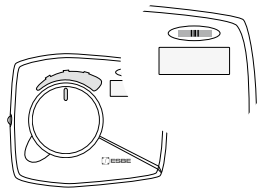
▼ = MIN



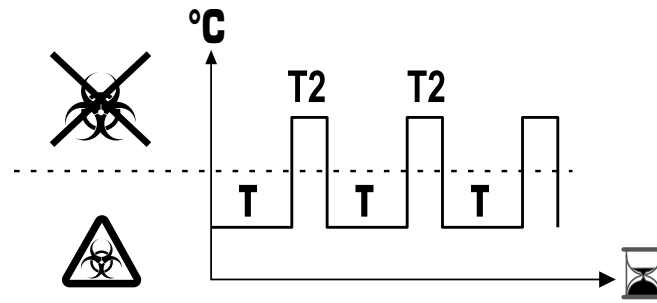
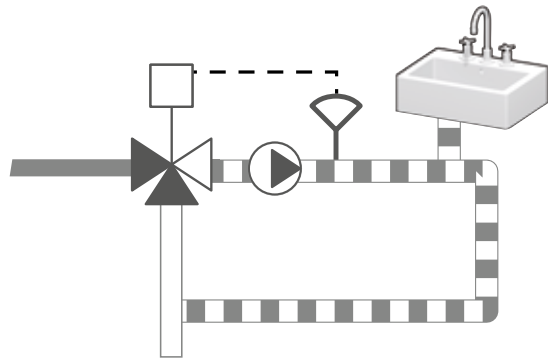
| | |
|--|------------|
| | 5 °C |
| | ~5 - 25 °C |
| | ~5 - 25 °C |
| | ~5 - 25 °C |

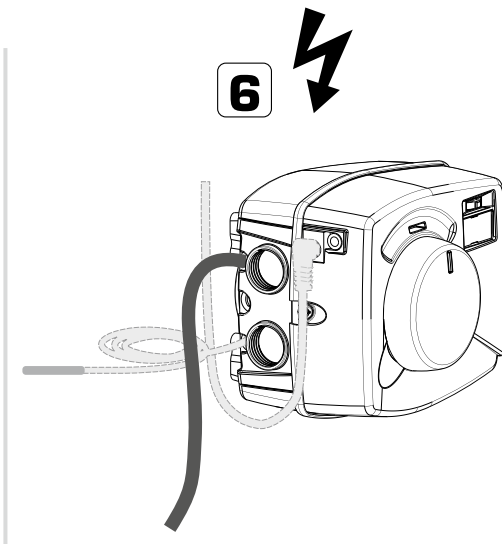
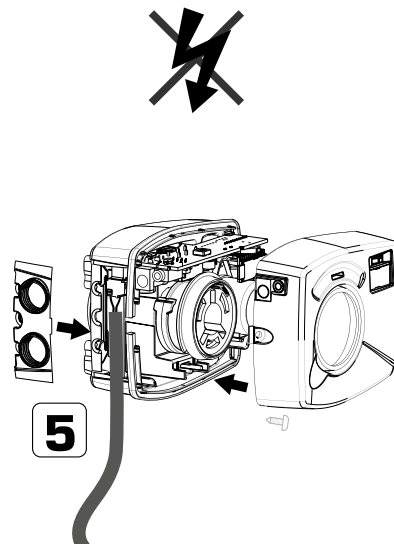
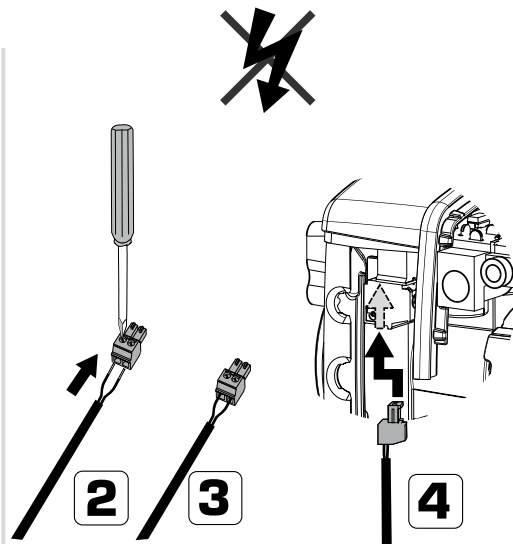
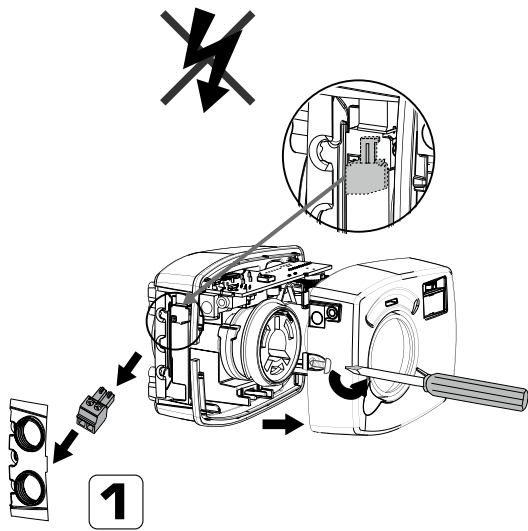


5  **T**

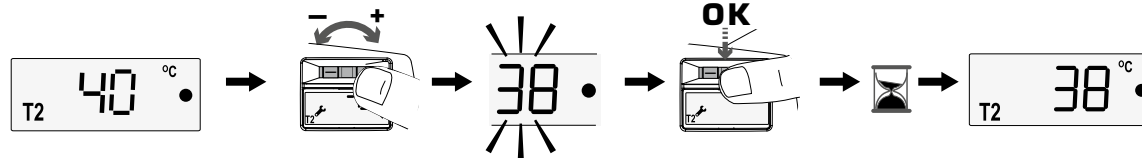
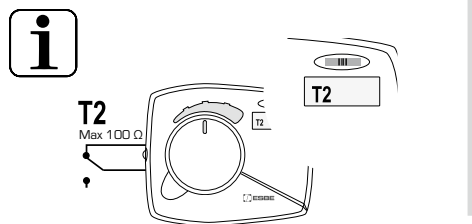


6  **T2**





6 ⚡



T

